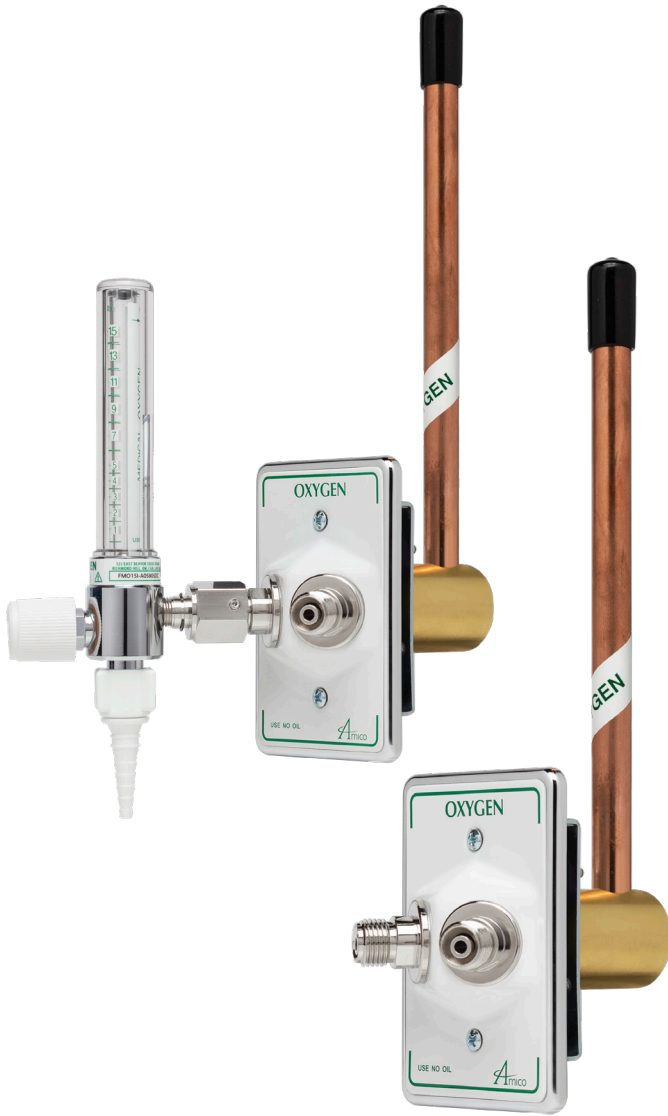


# Dual Outlet Console Outlet CSA



## Features:

- Flow rate exceeds the requirements of NFPA and CSA
- Accepts onl gas specific adapters
- Indexed to eliminate interchangeability of gas services
- Up to 1" [25 mm] wall thickness
- 2 in 1 outlet design
- Various combinations using Ohmeda and DISS connections

## General Specifications:

The Amico Dual Outlet combines two Front Latch Valve Assemblies into a single, compact design. The Amico Dual Outlet saves space, reduces construction cost and ensures healthcare providers always have the right connection.

A large, color coded front plate shall be used for ease of gas identification and aesthetic appeal.

The Dual Outlet shall only accept corresponding gas specific adapters and the back is pin indexed to fit into its respective gas specific rough-in.

All outlets shall be cleaned and degreased for medical gas service, factory assembled and tested.

Amico products comply with NFPA 99 and CSA Z7396.1.

**Note:** The Amico Dual Outlet is recommended to be used with 3/8" [10 mm] ID (nominal) rough-ins.

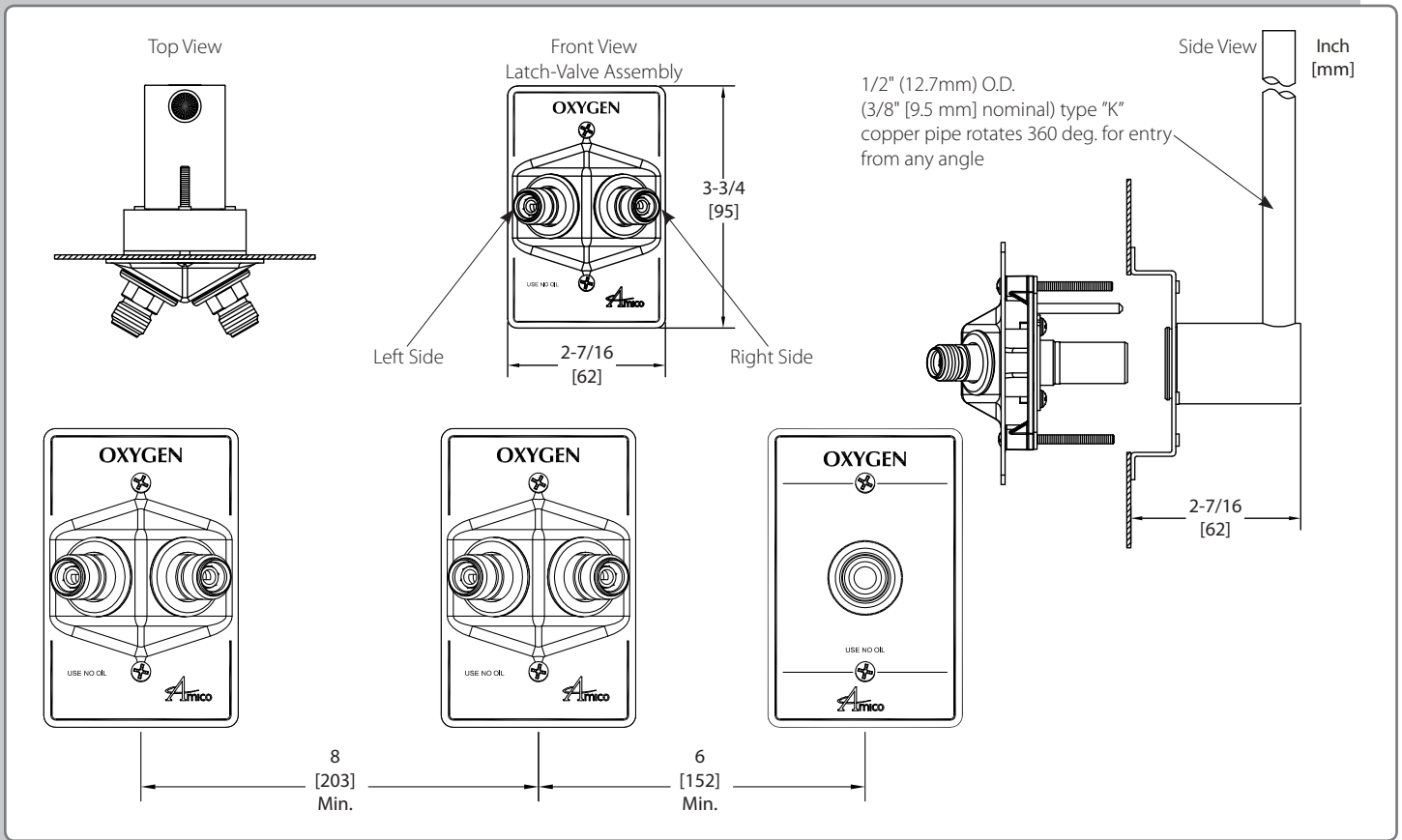
## Project

---

---

---

# Technical Specifications



**The Letter "X" Defines the Left Side Connection Options:**

DISS	=	D
Ohmeda Connection	=	Q
15LPM Thorpe Flowmeter	=	T15

## Model Numbers

### O-DFAC-XY-L-GAS

**The Letter "Y" Defines the Right Side Connection Options:**

DISS	=	D
Ohmeda Connection	=	Q
15LPM Thorpe Flowmeter	=	T15

Dual Outlet (front only):

Outlet

**The Letter "L" Defines the Language:**

English (ISO)	=	E
French (ISO)	=	F

**The Letter "GAS" Defines the Type of Gas:**

Oxygen	=	OXY
Medical Air	=	AIR

QTY.1

### O-BAKCON-E-GAS

(Rough-in Assembly)

QTY.1

### O-TRIM-P275C-G2

(Trim Plate)

Distributed By:

