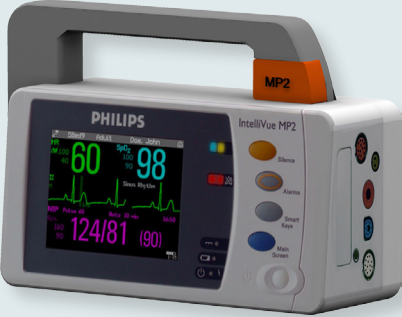
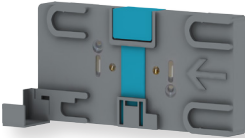








Philips Ordering Guide Reference Chart



Device	Mounting Kit	Mounting Platform	Restrictions	Add-Ons
 <p>Philips IntelliVue MP2 3.3 lbs (1.5 kg)*</p>	 <p>MP2 Docking System</p>  <p>PH-MP2PR-PLT</p>	 <p>AHM-059</p>	Use with power supply	 <p>Cable and Patient Leads</p>  <p>Power Supply</p>
		 <p>SSM-059</p>	Use with power supply	
		 <p>TTM-12-459-A00</p>	Use with power supply	
		 <p>RS6-429-PKG</p>	Use with power supply	

*Weight provided to help approximate mounting capacity. For reference only.

Philips Ordering Guide Reference Chart





Device	Mounting Kit	Mounting Platform	Restrictions	Add-Ons
 <p>Philips IntelliVue MP2 3.3 lbs (1.5 kg)*</p>	 <p>MP2 Docking System</p>  <p>PH-SSVM-PLT-00</p>	 <p>AHM-056</p>	N/A	 <p>Cable and Patient Leads</p>  <p>Power Supply</p>
		 <p>SSM-056</p>	N/A	
		 <p>TTM-12-456-A00</p>	N/A	
		 <p>RS6-426-PKG</p>	N/A	

*Weight provided to help approximate mounting capacity. For reference only.

Philips Ordering Guide Reference Chart










Device	Mounting Kit	Mounting Platform	Restrictions	Add-Ons
 <p>Power Supply 1.5 lbs (0.90 kg)</p>	N/A	 PH-MP2PR-PLT	Mounts below monitor Only use with PH-MP2PR-PLT	N/A
	N/A	 PH-TRNDMNT-MON	Use on rail with primary device on AHM/SSM Only compatible with PH-SSVM-PLT-00	
	N/A	 PH-TRNDMNT-R125	Use only on RS or TTM Only compatible with PH-SSVM-PLT-00	

*Weight provided to help approximate mounting capacity. For reference only.

Philips Ordering Guide Reference Chart



Device	Mounting Kit	Mounting Platform	Restrictions	Add-Ons
 <p>Cable and Patient Leads</p>	 <p>CRDHLDR</p>	 <p>AHM-059</p>	<p>Mounts below with primary device on AHM/SSM</p>	<p>N/A</p>
		 <p>SSM-059</p>		
		 <p>AHM-056</p>		
		 <p>SSM-056</p>		
	 <p>101004-MON-BB</p>	<p>N/A</p>	<p>Mounts on MRS rail with AHM/SSM</p>	<p>N/A</p>

*Weight provided to help approximate mounting capacity. For reference only.